

**Induction - Comfort
4 zones 80 cm
Matte**

EAN 5414425269877



Cooking Zones

- 4 zones
- Front left : 2300/3000 W - 210 mm
- Rear left : 1100/1400 W - 175 mm
- Front right : 1100/1400 W - 175 mm
- Rear right : 2300/3000 W - 210 mm

Functions & features

- | | |
|---|---|
| <ul style="list-style-type: none"> ▪ InTouch function ▪ Grill function ▪ Automatic pan recognition ▪ Keep warm function (°C) ▪ Residual heat indication ▪ Childproof lock ▪ Pause function ▪ Timers | <p>Standard</p> <p>-</p> <p>-</p> <p>70°C</p> <ul style="list-style-type: none"> ▪ ▪ ▪ <p>Minute minder, Timer per Zone,
Automatic cooking</p> |
|---|---|

Design

- | | |
|---|--|
| <ul style="list-style-type: none"> ▪ Control method ▪ Info display color ▪ Glass edge ▪ Mounting method | <p>Slider touch control</p> <p>Red</p> <p>Bevelled</p> <p>Surface, Flushline</p> |
|---|--|

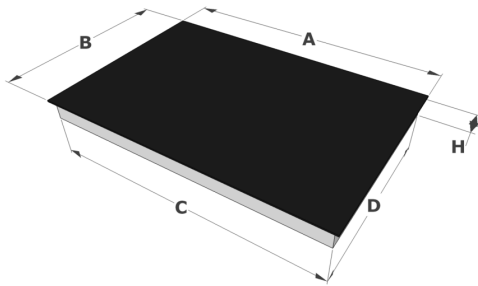
Dimensions

- | | |
|---|--|
| <ul style="list-style-type: none"> ▪ Product dimensions (WxDxH) (mm) ▪ Cut-out worktop (WxD) (mm) | <p>800 x 520 x 56</p> <p>750 x 490</p> |
|---|--|

Technical specifications

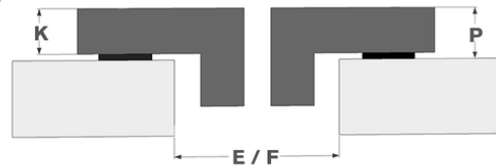
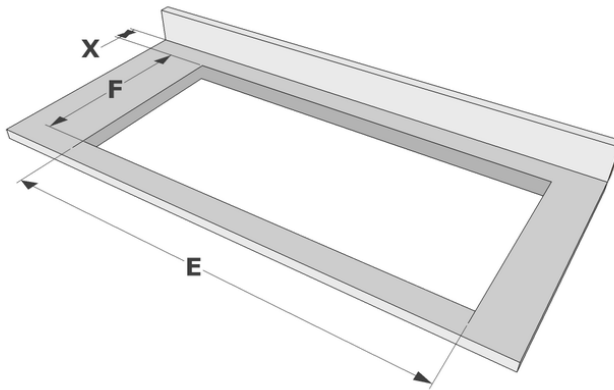
- | | |
|---|--|
| <ul style="list-style-type: none"> ▪ Maximum power (W) ▪ Voltage induction hob (V) ▪ Frequency (Hz) ▪ Net weight (kg) | <p>7400</p> <p>230 V / 400 V - 1N / 2N</p> <p>50-60</p> <p>11,59</p> |
|---|--|

Dimensions



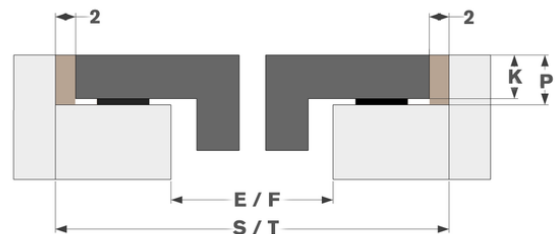
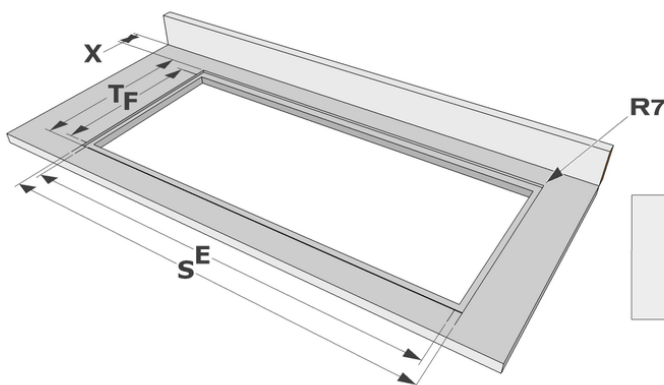
	A	B	C	D	H
mm	800	520	750	480	56

Surface



	E	F	K	P	X
mm	750	490	4	6	50

Flushline



	E	F	S	T	K	P	X
mm	750	490	804	524	4	6	50

Accessories

Cooking



1700092

Side profiles